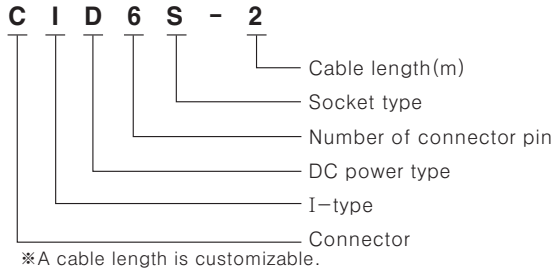


# Encoder Connector Cable

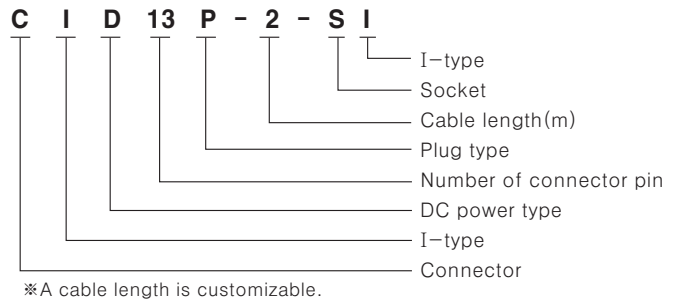
## Encoder Connector Cable / General connector cable

### Ordering information

◎Socket type



◎Plug-socket type

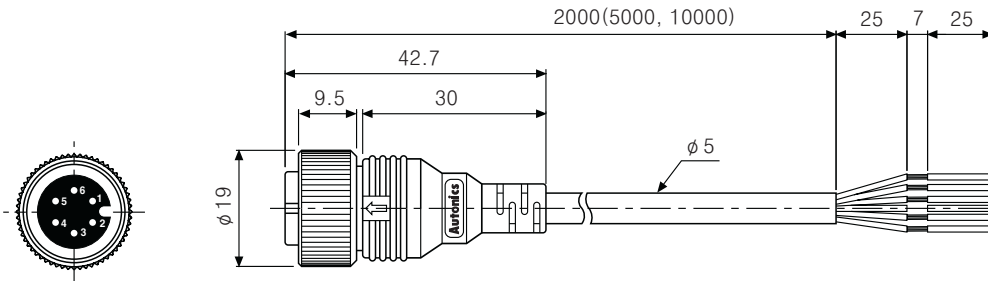


### Dimensions

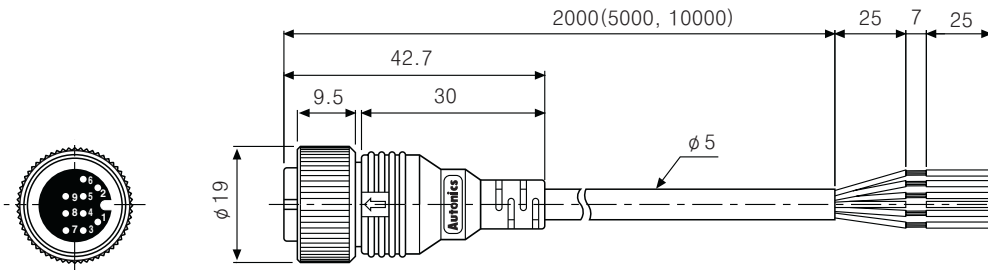
◎Socket type

(Unit:mm)

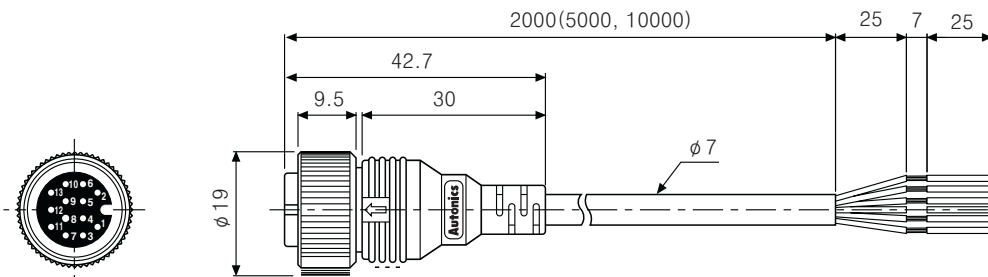
●CID6S-2, CID6S-5, CID6S-10 (Totem pole output / NPN open collector output / Voltage output)



●CID9S-2, CID9S-5, CID9S-10 (Line driver output)

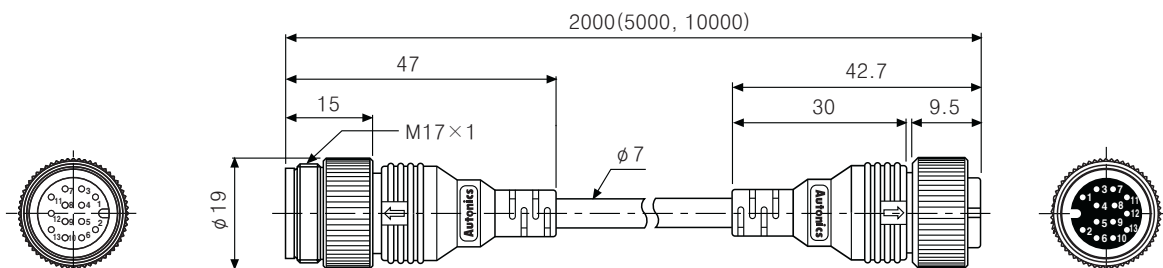


●CID13S-2, CID13S-5, CID13S-10 (For cam positioner)



◎Plug-socket type

●CID13P-2-SI, CID13P-5-SI, CID13P-10-SI (For cam positioner)



- (A) Counter
- (B) Timer
- (C) Temp. controller
- (D) Power controller
- (E) Panel meter
- (F) Tacho/Speed/Pulse meter
- (G) Display unit
- (H) Sensor controller
- (I) Switching power supply
- (J) Proximity sensor
- (K) Photo electric sensor
- (L) Pressure sensor
- (M) Rotary encoder
- (N) Stepping motor & Driver & Controller
- (O) Graphic panel
- (P) Production stoppage models & replacement