

## Sensor controller

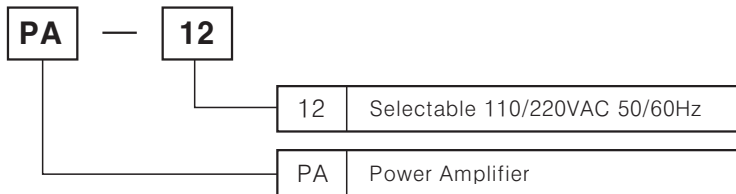
### ■ Features

- Selectable use of 110/220VAC
- Selectable use of NPN, PNP input
- Able to drive loads up to 3A, 250VAC with proximity sensor or photo sensor input
- Convenient to mount on Socket by plug in type
- Output relay with both NO and NC contacts

**⚠ Please read "Caution for your safety" in operation manual before using.**



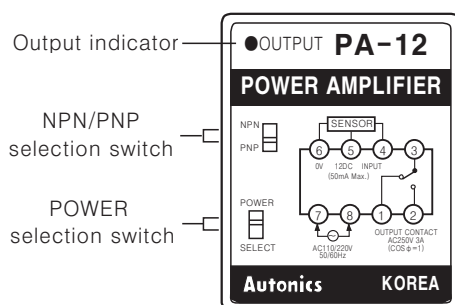
### ■ Ordering information



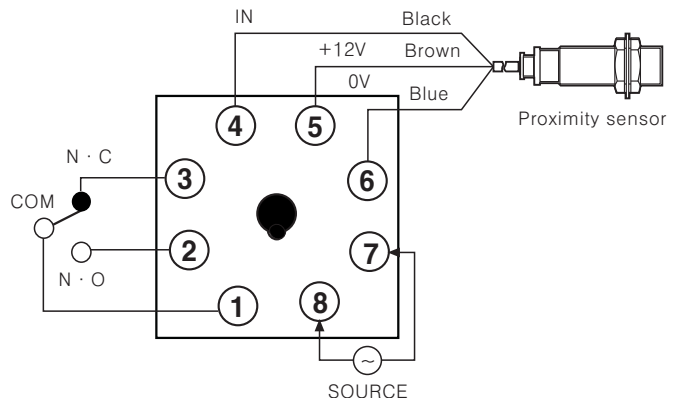
### ■ Specifications

Model		<b>PA-12</b>
Type		Selectable NPN/PNP
Power supply		Selectable 110-220VAC 50/60Hz
Power consumption		Approx. 4VA
Power for proximity sensor		12VDC 50mA
Input signal	P N P	High Level : 7-12VDC, Low Level : 0-5VDC
	N P N	Short-circuit impedance : Max. 1kΩ, Residual voltage : Max. 2VDC, Open-circuit impedance : Min. 100kΩ
Response time	Input	Max. 0.2ms
	Output	Max. 10ms
Input resistance		10kΩ
Control output	Contact composition	SPDT(1a1b)
	Contact capacity	250VAC 3A(For resistive load)
Ambient temperature		-10 ~ +50℃ (at non-freezing status)
Ambient humidity		45 ~ 85%RH
Relay life cycle	Mechanical	Min. 10,000,000 times
	Electrical	Min. 100,000 times(250VAC 3A resistive load)
Unit weight		Approx. 269g

### ■ Front panel identification



### ■ Connections



(A) Counter

(B) Timer

(C) Temp. controller

(D) Power controller

(E) Panel meter

(F) Tacho/Speed/Pulse meter

(G) Display unit

(H) Sensor controller

(I) Switching power supply

(J) Proximity sensor

(K) Photo electric sensor

(L) Pressure sensor

(M) Rotary encoder

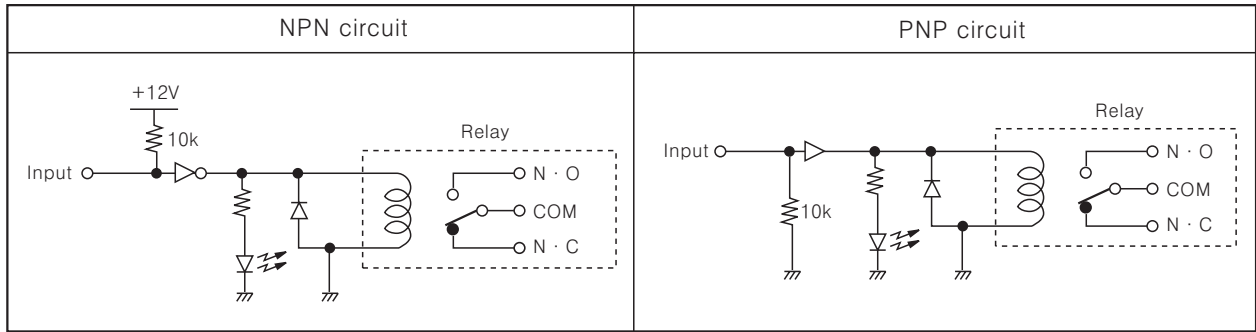
(N) Stepping motor & Driver & Controller

(O) Graphic panel

(P) Production stoppage models & replacement

# PA-12

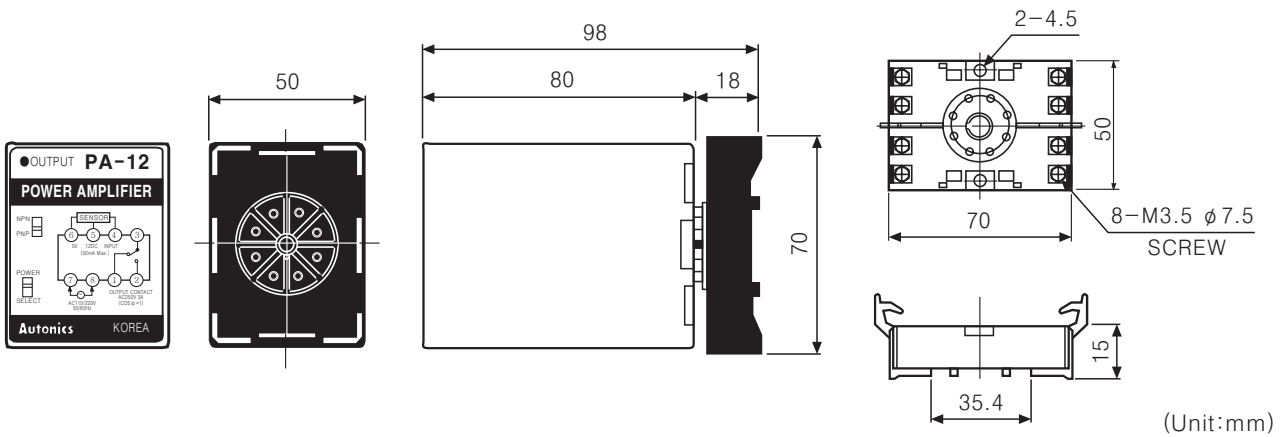
## Function diagram



## Operation mode

Input	NPN	PNP
Input level		
Relay output	NO NC	NO NC
LED	ON OFF	ON OFF

## Dimensions



## Proper usage

1. Power selection switch is set according to power voltage.
2. Please check connections before wiring.
3. Please be cautious not to short-circuit the 12VDC terminal at GND.
4. Do not install this unit at place where steam, dust, corrosive gas and water exist.